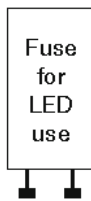
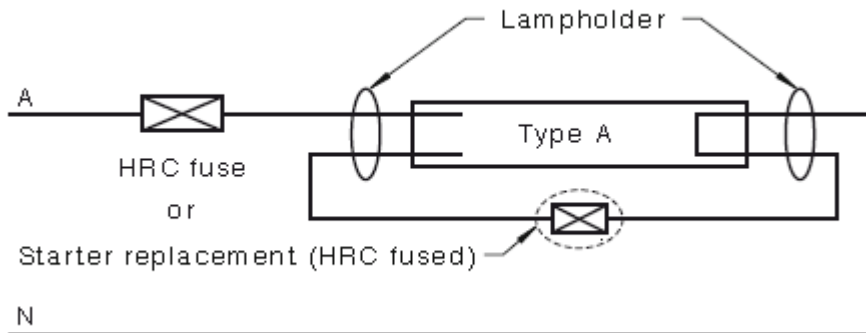


LED Tube Instruction Manual

Product :

T8 Tube

Instruction :

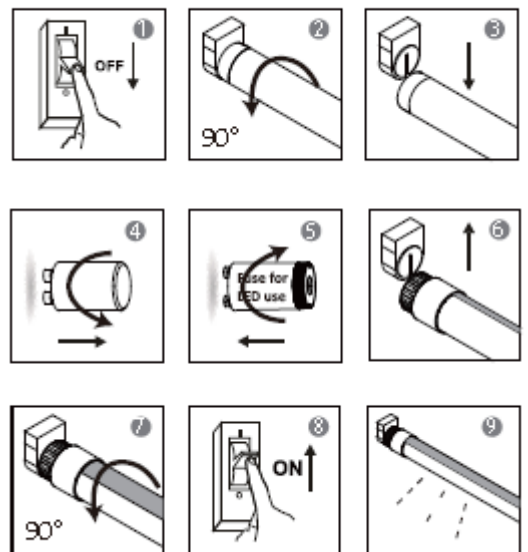


Replaced starter with an internal 250V, 0.5A max. quick-acting fuse

INSTRUCTIONS:

1. Switch off power supply before re-wiring and installation.
2. Remove the conventional fluorescent tube .
3. Take out the electronic ballast.
4. Rewire the fixture as shown in the “AFTER RETROFIT” circuit diagram and connect the included starter holder to the cord of anode in series.
5. Install the T8 LED tube, then fix the fuse into the starter holder.
6. Switch on the power supply

INSTRUCTIONS:



Warning

- 1) The manufacturer of the original luminaire will no longer be responsible for the compliance of the modified product. Any modifications made to the original luminaire may alter the safety aspects of the original luminaire; hence compliance assessments of the original luminaire may no longer be applicable to the modified luminaire.
- 2) The supplied warning sticker shall be placed on the luminaire and shall be visible during lamp replacement.
- 3) A fuse shall be used to protect a fluorescent lamp that is inadvertently installed against short circuits. Each fuse shall—
 - a) be of the 250 V HRC type;
 - b) have a 0.5 A max. quick-acting type rating; and
 - c) be used to protect a maximum of two lamps.

NOTE: A quick-acting type fuse is defined in the IEC 60127 series as 'Type F'.

The luminaire shall have a fuse replacement rating label.

- 4) The rating of the lamp shall not exceed the maximum wattage of the lamp that it is intended to replace or the total wattage of the replacement lamps shall not exceed the maximum wattage of the luminaire.
- 5) The Luminaire has been modified and can not be operated with conventional fluorescent lamp any longer. Only replace with same type of LED tube! Don't directly use conventional fluorescent lamp!
- 5) The LED tube work with modification of original luminary with electronic ballast and safety, EMC must be reevaluated after the modification together with the mew tube.