

EN LED TRI-PROOF LIGHT

SPECIFICATIONS

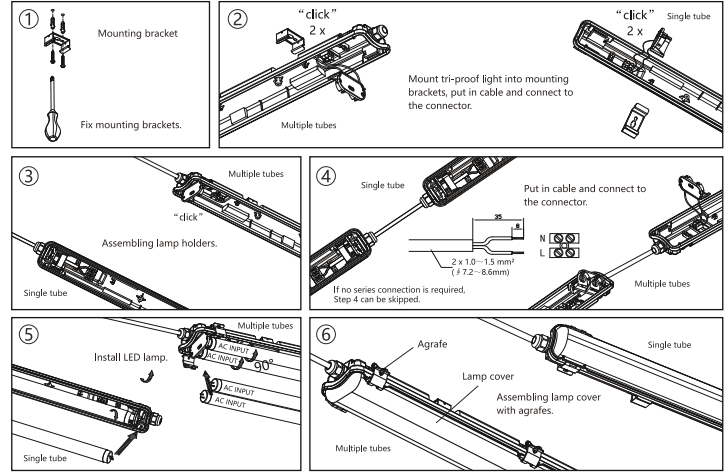
This product contains a light source of energy efficiency class <E> for (EU) 2019/2015.

Model	Voltage	Frequency	Power	Current	CCT	Protection	Dimension	ERP	Lin cable qty in line
SH-TP06I-1-65	220-240V~	50/60Hz	9W	73mA	6500K	IP65	L666*W68*H58mm	E	36pcs
SH-TP06I-1-40	220-240V~	50/60Hz	9W	73mA	4000K	IP65	L666*W68*H58mm	E	36pcs
SH-TP12I-1-65	220-240V~	50/60Hz	18W	145mA	6500K	IP65	L1276*W68*H58mm	E	18pcs
SH-TP12I-1-40	220-240V~	50/60Hz	18W	145mA	4000K	IP65	L1276*W68*H58mm	E	18pcs
SH-TP15I-1-65	220-240V~	50/60Hz	22W	180mA	6500K	IP65	L1576*W68*H58mm	E	18pcs
SH-TP15I-1-40	220-240V~	50/60Hz	22W	180mA	4000K	IP65	L1576*W68*H58mm	E	18pcs
SH-TP06I-2-65	220-240V~	50/60Hz	2x9W	2x73mA	6500K	IP65	L666*W94*H55mm	E	9pcs
SH-TP06I-2-40	220-240V~	50/60Hz	2x9W	2x73mA	4000K	IP65	L666*W94*H55mm	E	9pcs
SH-TP12I-2-65	220-240V~	50/60Hz	2x18W	2x145mA	6500K	IP65	L1276*W94*H55mm	E	12pcs
SH-TP12I-2-40	220-240V~	50/60Hz	2x18W	2x145mA	4000K	IP65	L1276*W94*H55mm	E	12pcs
SH-TP15I-2-65	220-240V~	50/60Hz	2x22W	2x180mA	6500K	IP65	L1576*W94*H55mm	E	6pcs
SH-TP15I-2-40	220-240V~	50/60Hz	2x22W	2x180mA	4000K	IP65	L1576*W94*H55mm	E	6pcs

PRODUCT DESCRIPTION

- The tri-proof light consists of a PC/ABS lamp body and a PC/PS lampshade with a waterproof rating of IP65.
- The tri-proof light is equipped with an LED tube.
- It is applicable in garages, subway stations, underground, passages, cleaning workshops, warehouses, etc.
- For indoor use only.

INSTALLATION



WARNING

- Turn power off before inspection, installation or removal.
- Supply connection and other external wiring conductor shall be at least 1.0mm² and confirm to 60245IEC57.

ES LUZ LED TRI-PROOF

ESPECIFICACIONES

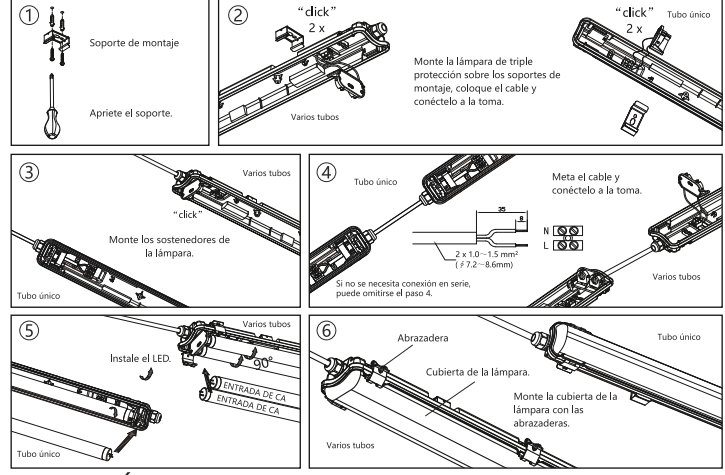
Este producto contiene una fuente de luz con clase de eficiencia energética <E> para (UE) 2019/2015.

Modelo	Voltaje	Frecuencia	Potencia	Intensidad	TCC	Protección	Dimensiones	ERP	Cant. cables en línea
SH-TP06I-1-65	220-240V~	50/60Hz	9 W	73mA	6500K	IP65	L666*W68*H58mm	E	36 uds.
SH-TP06I-1-40	220-240V~	50/60Hz	9 W	73mA	4000K	IP65	L666*W68*H58mm	E	36 uds.
SH-TP12I-1-65	220-240V~	50/60Hz	18 W	145mA	6500K	IP65	L1276*W68*H58mm	E	18 uds.
SH-TP12I-1-40	220-240V~	50/60Hz	18 W	145mA	4000K	IP65	L1276*W68*H58mm	E	18 uds.
SH-TP15I-1-65	220-240V~	50/60Hz	22 W	180mA	6500K	IP65	L1576*W68*H58mm	E	18 uds.
SH-TP15I-1-40	220-240V~	50/60Hz	22 W	180mA	4000K	IP65	L1576*W68*H58mm	E	18 uds.
SH-TP06I-2-65	220-240V~	50/60Hz	2x9 W	2x73mA	6500K	IP65	L666*W94*H55mm	E	9 uds.
SH-TP06I-2-40	220-240V~	50/60Hz	2x9 W	2x73mA	4000K	IP65	L666*W94*H55mm	E	9 uds.
SH-TP12I-2-65	220-240V~	50/60Hz	2x18 W	2x145mA	6500K	IP65	L1276*W94*H55mm	E	12 uds.
SH-TP12I-2-40	220-240V~	50/60Hz	2x18 W	2x145mA	4000K	IP65	L1276*W94*H55mm	E	12 uds.
SH-TP15I-2-65	220-240V~	50/60Hz	2x22 W	2x180mA	6500K	IP65	L1576*W94*H55mm	E	6 uds.
SH-TP15I-2-40	220-240V~	50/60Hz	2x22 W	2x180mA	4000K	IP65	L1576*W94*H55mm	E	6 uds.

DESCRIPCIÓN DEL PRODUCTO

- La lámpara de triple protección está formada por un cuerpo de PC/ABS y una pantalla de PC/PS con grado de impermeabilidad IP65.
- La lámpara de triple protección está formada por un tubo LED.
- Se puede utilizar en garajes, estaciones de metro, subterráneos, pasajes, talleres de limpieza, almacenes, etc.
- Solo para uso en interiores.

INSTALACIÓN



PRECAUCIÓN

- Desconecte la alimentación antes de revisar, instalar o desmontar el producto.
- La fuente de alimentación y demás cables externos deberán ser de al menos 1.0 mm² y cumplir la norma 60245IEC57.

PL LAMPA LED TRI-PROOF

SPECYFIKACJA

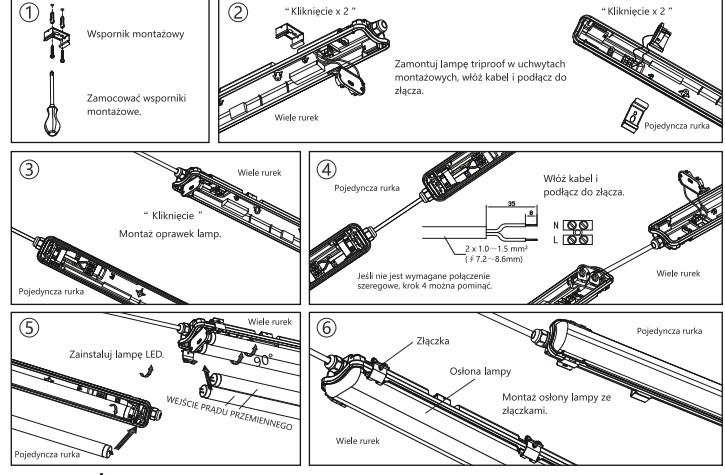
Ten produkt zawiera źródło światła o klasie efektywności energetycznej <E> wg (UE) 2019/2015.

Model	Napięcie	Częstotliwość	Moc	Prąd	CCT	Ochrona	Wymiary	ERP	Ilość kabli w linii
SH-TP06I-1-65	220-240V~	50/60Hz	9W	73mA	6500K	IP65	L666*W68*H58mm	E	36szt.
SH-TP06I-1-40	220-240V~	50/60Hz	9W	73mA	4000K	IP65	L666*W68*H58mm	E	36szt.
SH-TP12I-1-65	220-240V~	50/60Hz	18W	145mA	6500K	IP65	L1276*W68*H58mm	E	18szt.
SH-TP12I-1-40	220-240V~	50/60Hz	18W	145mA	4000K	IP65	L1276*W68*H58mm	E	18szt.
SH-TP15I-1-65	220-240V~	50/60Hz	22W	180mA	6500K	IP65	L1576*W68*H58mm	E	18szt.
SH-TP15I-1-40	220-240V~	50/60Hz	22W	180mA	4000K	IP65	L1576*W68*H58mm	E	18szt.
SH-TP06I-2-65	220-240V~	50/60Hz	2x9W	2x73mA	6500K	IP65	L666*W94*H55mm	E	9szt.
SH-TP06I-2-40	220-240V~	50/60Hz	2x9W	2x73mA	4000K	IP65	L666*W94*H55mm	E	9szt.
SH-TP12I-2-65	220-240V~	50/60Hz	2x18W	2x145mA	6500K	IP65	L1276*W94*H55mm	E	12szt.
SH-TP12I-2-40	220-240V~	50/60Hz	2x18W	2x145mA	4000K	IP65	L1276*W94*H55mm	E	12szt.
SH-TP15I-2-65	220-240V~	50/60Hz	2x22W	2x180mA	6500K	IP65	L1576*W94*H55mm	E	6szt.
SH-TP15I-2-40	220-240V~	50/60Hz	2x22W	2x180mA	4000K	IP65	L1576*W94*H55mm	E	6szt.

OPIS PRODUKTU

- La lampa triproof składa się z korpusu wykonanego z PC/ABS i klosza z PC/PS o klasie wodoodporności IP65.
- Lampa triproof jest wyposażona w diode LED.
- Ma zastosowanie w garażach, na stacjach metra, pod ziemią, w przejściach, warsztatach, magazynach itp.
- Tylko do użytku wewnątrz pomieszczeń.

INSTALACJA



OSTRZEŻENIE

- Wyłącz zasilanie przed jej inspekcją, instalacją lub demontażem.
- Podłączenie zasilania i inne zewnętrzne przewody powinny mieć co najmniej 1.0 mm² i być zgodne z normą 60245IEC57.

IT LUCE LED TRI-PROOF

SPECIFICHE

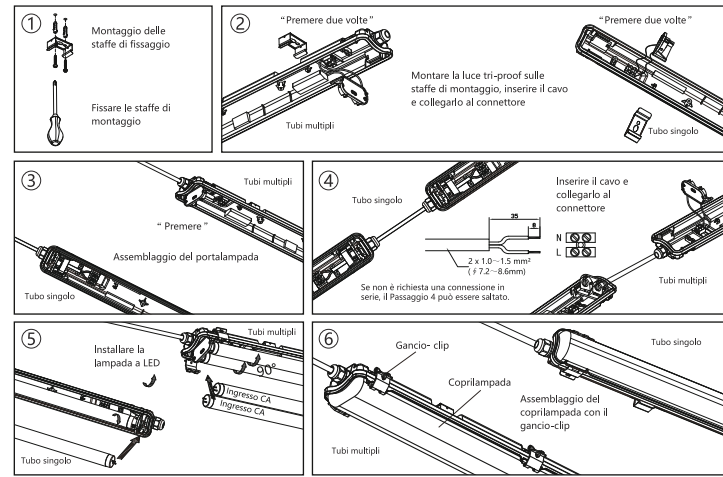
Questo prodotto include una fonte di luce con una classe di efficienza energetica <E> in conformità alla normativa (UE) 2019/2015.

Modello	Voltaggio	Frequenza	Potenza	Corrente	CCT	Protezione	Dimensioni	ERP	Quantità di cavi in linea
SH-TP06I-1-65	220-240V~	50/60Hz	9W	73mA	6500K	IP65	L666*W68*H58mm	E	36pz
SH-TP06I-1-40	220-240V~	50/60Hz	9W	73mA	4000K	IP65	L666*W68*H58mm	E	36pz
SH-TP12I-1-65	220-240V~	50/60Hz	18W	145mA	6500K	IP65	L1276*W68*H58mm	E	18pz
SH-TP12I-1-40	220-240V~	50/60Hz	18W	145mA	4000K	IP65	L1276*W68*H58mm	E	18pz
SH-TP15I-1-65	220-240V~	50/60Hz	22W	180mA	6500K	IP65	L1576*W68*H58mm	E	18pz
SH-TP15I-1-40	220-240V~	50/60Hz	22W	180mA	4000K	IP65	L1576*W68*H58mm	E	18pz
SH-TP06I-2-65	220-240V~	50/60Hz	2x9W	2x73mA	6500K	IP65	L666*W94*H55mm	E	9pz
SH-TP06I-2-40	220-240V~	50/60Hz	2x9W	2x73mA	4000K	IP65	L666*W94*H55mm	E	9pz
SH-TP12I-2-65	220-240V~	50/60Hz	2x18W	2x145mA	6500K	IP65	L1276*W94*H55mm	E	12pz
SH-TP12I-2-40	220-240V~	50/60Hz	2x18W	2x145mA	4000K	IP65	L1276*W94*H55mm	E	12pz
SH-TP15I-2-65	220-240V~	50/60Hz	2x22W	2x180mA	6500K	IP65	L1576*W94*H55mm	E	6pz
SH-TP15I-2-40	220-240V~	50/60Hz	2x22W	2x180mA	4000K	IP65	L1576*W94*H55mm	E	6pz

DESCRIZIONE DEL PRODOTTO

1. La luce tri-proof è costituita da un corpo lampada in PC/ABS e un diffusore in PC/PS con grado di protezione IP65 contro l'acqua e la polvere.
2. La luce tri-proof è dotata di un tubo LED.
3. È adatta per l'illuminazione di garage, stazioni della metropolitana, sottopassi, officine di pulizia, magazzini, ecc.
4. Destinata esclusivamente per uso interno.

INSTALLATION



ATTENZIONE

- Prima di effettuare l'ispezione, l'installazione o la rimozione, assicurarsi di spegnere l'alimentazione.
- La connessione di alimentazione e il conduttore esterno devono avere una sezione di almeno 1,0 mm² e devono essere conformi alla norma 60245IEC57.

DE LED-DREILICHT

SPEZIFIKATIONEN

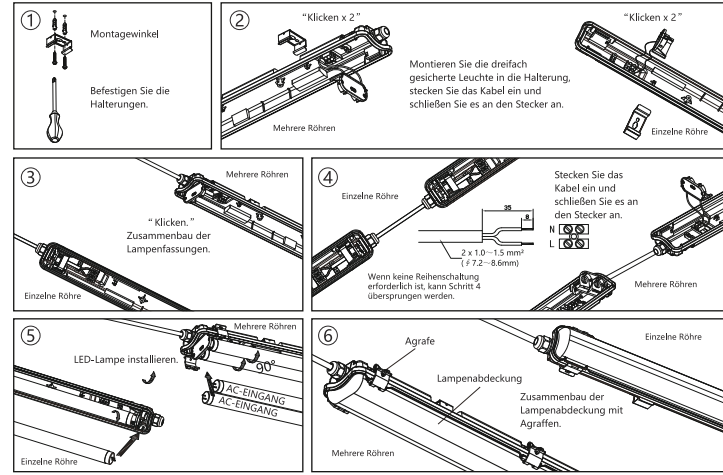
Dieses Produkt enthält eine Lichtquelle der Energieeffizienzklasse <E> für (EU) 2019/2015.

Modell	Spannung	Frequenz	Strom	Aktuell	CCT	Schutz	Dimension	ERP	Anzahl der Kabel in der Leitung
SH-TP06I-1-65	220-240V~	50/60Hz	9W	73mA	6500K	IP65	L666*W68*H58mm	E	36Stück
SH-TP06I-1-40	220-240V~	50/60Hz	9W	73mA	4000K	IP65	L666*W68*H58mm	E	36Stück
SH-TP12I-1-65	220-240V~	50/60Hz	18W	145mA	6500K	IP65	L1276*W68*H58mm	E	18 Stk.
SH-TP12I-1-40	220-240V~	50/60Hz	18W	145mA	4000K	IP65	L1276*W68*H58mm	E	18 Stk.
SH-TP15I-1-65	220-240V~	50/60Hz	22W	180mA	6500K	IP65	L1576*W68*H58mm	E	18 Stk.
SH-TP15I-1-40	220-240V~	50/60Hz	22W	180mA	4000K	IP65	L1576*W68*H58mm	E	18 Stk.
SH-TP06I-2-65	220-240V~	50/60Hz	2x9W	2x73mA	6500K	IP65	L666*W94*H55mm	E	9Stück
SH-TP06I-2-40	220-240V~	50/60Hz	2x9W	2x73mA	4000K	IP65	L666*W94*H55mm	E	9Stück
SH-TP12I-2-65	220-240V~	50/60Hz	2x18W	2x145mA	6500K	IP65	L1276*W94*H55mm	E	12Stück
SH-TP12I-2-40	220-240V~	50/60Hz	2x18W	2x145mA	4000K	IP65	L1276*W94*H55mm	E	12Stück
SH-TP15I-2-65	220-240V~	50/60Hz	2x22W	2x180mA	6500K	IP65	L1576*W94*H55mm	E	6Stück
SH-TP15I-2-40	220-240V~	50/60Hz	2x22W	2x180mA	4000K	IP65	L1576*W94*H55mm	E	6Stück

BESCHREIBUNG DES PRODUKTS

1. Die dreifach geschützte Leuchte besteht aus einem PC/ABS-Lampenkörper und einem PC/PS-Lampenschirm mit einer Wasserdichtheitsklasse von IP65.
2. Die dreifach gesicherte Leuchte ist mit einer LED-Röhre ausgestattet.
3. Sie ist in Garagen, U-Bahn-Stationen, Durchgängen, Reinigungswerkstätten, Lagerhallen usw. einsetzbar.
4. Nur zur Verwendung in Innenräumen.

INSTALLATION



WARNUNG

- Schalten Sie das Gerät vor der Inspektion, dem Einbau oder dem Ausbau aus.
- Der Versorgungsanschluss und andere externe Kabel müssen mindestens 1,0 m lang sein und der Norm 60245IEC57 entsprechen.

NL LED TRI-PROOF LICHT

SPECIFICATIES

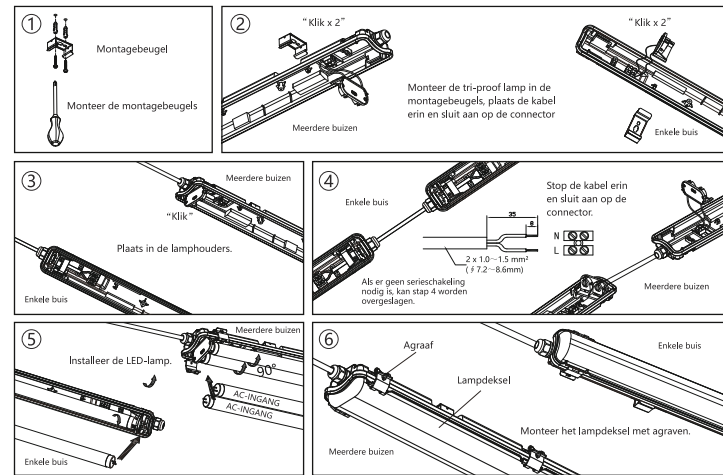
Dit product bevat een lichtbron van energie-efficiëntieklasse <E> voor (EU) 2019/2015.

Model	Voltage	Frequentie	Vermogen	Stroomsterkte	CCT	Bescherming	Dimensies	ERP	Lijkabel aantal in lijn
SH-TP06I-1-65	220-240V~	50/60Hz	9W	73mA	6500K	IP65	L666*W68*H58mm	E	36 stuks
SH-TP06I-1-40	220-240V~	50/60Hz	9W	73mA	4000K	IP65	L666*W68*H58mm	E	36 stuks
SH-TP12I-1-65	220-240V~	50/60Hz	18W	145mA	6500K	IP65	L1276*W68*H58mm	E	18 stuks
SH-TP12I-1-40	220-240V~	50/60Hz	18W	145mA	4000K	IP65	L1276*W68*H58mm	E	18 stuks
SH-TP15I-1-65	220-240V~	50/60Hz	22W	180mA	6500K	IP65	L1576*W68*H58mm	E	18 stuks
SH-TP15I-1-40	220-240V~	50/60Hz	22W	180mA	4000K	IP65	L1576*W68*H58mm	E	18 stuks
SH-TP06I-2-65	220-240V~	50/60Hz	2x9W	2x73mA	6500K	IP65	L666*W94*H55mm	E	9 stuks
SH-TP06I-2-40	220-240V~	50/60Hz	2x9W	2x73mA	4000K	IP65	L666*W94*H55mm	E	9 stuks
SH-TP12I-2-65	220-240V~	50/60Hz	2x18W	2x145mA	6500K	IP65	L1276*W94*H55mm	E	12 stuks
SH-TP12I-2-40	220-240V~	50/60Hz	2x18W	2x145mA	4000K	IP65	L1276*W94*H55mm	E	12 stuks
SH-TP15I-2-65	220-240V~	50/60Hz	2x22W	2x180mA	6500K	IP65	L1576*W94*H55mm	E	6 stuks
SH-TP15I-2-40	220-240V~	50/60Hz	2x22W	2x180mA	4000K	IP65	L1576*W94*H55mm	E	6 stuks

PRODUCT DESCRIPTION

1. De tri-proof lamp bestaat uit een PC/ABS lampbehuizing en een PC/PS lampenkap met een waterdichtheid van IP65.
2. De tri-proof lamp is uitgerust met een LED-buis.
3. De lamp kan worden gebruikt in garages, metrostations, metro's, doorgangen, schoonmaakwerkplaatsen, magazijnen, enz.
4. Alleen voor gebruik binnenshuis.

INSTALLATIE



WAARSCHUWING

- Schakel de stroom uit vóór inspectie, installatie of verwijdering.
- Voedingsaansluiting en andere externe bedragsgeleiders moeten minimaal 1,0 m lang zijn en voldoen aan 60245IEC57.

FR LUMIÈRE TRI-PROOF LED

CARACTÉRISTIQUES

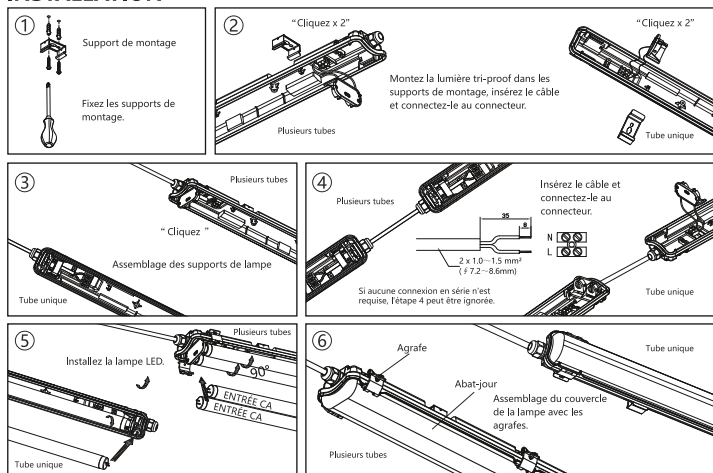
Ce produit contient une source lumineuse de classe d'efficacité énergétique <E> pour (UE) 2019/2015.

Modèle	Tension	Fréquence	Puissance	Courant	CCT	Protection	Dimensions	ERP	Qté de câble Lin en ligne
SH-TP06I-1-6S	220-240V~	50/60Hz	9W	73mA	6500K	IP65	L666*W68*H58mm	E	36 unités
SH-TP06I-1-40	220-240V~	50/60Hz	9W	73mA	4000K	IP65	L666*W68*H58mm	E	36 unités
SH-TP12I-1-6S	220-240V~	50/60Hz	18W	145mA	6500K	IP65	L1276*W68*H58mm	E	18 unités
SH-TP12I-1-40	220-240V~	50/60Hz	18W	145mA	4000K	IP65	L1276*W68*H58mm	E	18 unités
SH-TP15I-1-6S	220-240V~	50/60Hz	22W	180mA	6500K	IP65	L1576*W68*H58mm	E	18 unités
SH-TP15I-1-40	220-240V~	50/60Hz	22W	180mA	4000K	IP65	L1576*W68*H58mm	E	18 unités
SH-TP06I-2-6S	220-240V~	50/60Hz	2x9W	2x73mA	6500K	IP65	L666*W94*H55mm	E	9 unités
SH-TP06I-2-40	220-240V~	50/60Hz	2x9W	2x73mA	4000K	IP65	L666*W94*H55mm	E	9 unités
SH-TP12I-2-6S	220-240V~	50/60Hz	2x18W	2x145mA	6500K	IP65	L1276*W94*H55mm	E	12 unités
SH-TP12I-2-40	220-240V~	50/60Hz	2x18W	2x145mA	4000K	IP65	L1276*W94*H55mm	E	12 unités
SH-TP15I-2-6S	220-240V~	50/60Hz	2x22W	2x180mA	6500K	IP65	L1576*W94*H55mm	E	6 unités
SH-TP15I-2-40	220-240V~	50/60Hz	2x22W	2x180mA	4000K	IP65	L1576*W94*H55mm	E	6 unités

DESCRIPTION DU PRODUIT

- La lampe tri-proof se compose d'un corps de lampe PC/ABS et d'un abat-jour PC/PS avec un indice d'étanchéité IP65.
- La lampe tri-proof est équipée d'un tube LED.
- Convient pour les garages, stations de métro, souterrains, passages, ateliers, entrepôts, etc.
- Pour une utilisation en intérieur uniquement.

INSTALLATION



AVERTISSEMENT

- Coupez l'alimentation avant l'inspection, l'installation ou le retrait.
- La connexion d'alimentation et les autres conducteurs de câblage externes doivent être d'au moins 1,0 mm² et être conformes à la norme 60245IEC57.

PT LUZ DE TRI LED

ESPECIFICAÇÕES

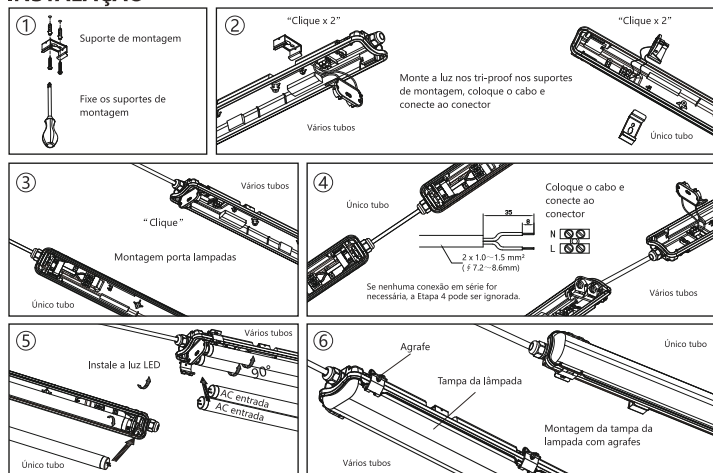
Este produto contém uma fonte de luz de classe de eficiência energética <E> para (EU) 2019/2015.

Modelo	Voltagem	Frequência	Potência	Corrente	CCT	Proteção	Dimensão	ERP	Lin cabo qtd em linha
SH-TP06I-1-6S	220-240V~	50/60Hz	9W	73mA	6500K	IP65	L666*W68*H58mm	E	36pcs
SH-TP06I-1-40	220-240V~	50/60Hz	9W	73mA	4000K	IP65	L666*W68*H58mm	E	36pcs
SH-TP12I-1-6S	220-240V~	50/60Hz	18W	145mA	6500K	IP65	L1276*W68*H58mm	E	18pcs
SH-TP12I-1-40	220-240V~	50/60Hz	18W	145mA	4000K	IP65	L1276*W68*H58mm	E	18pcs
SH-TP15I-1-6S	220-240V~	50/60Hz	22W	180mA	6500K	IP65	L1576*W68*H58mm	E	18pcs
SH-TP15I-1-40	220-240V~	50/60Hz	22W	180mA	4000K	IP65	L1576*W68*H58mm	E	18pcs
SH-TP06I-2-6S	220-240V~	50/60Hz	2x9W	2x73mA	6500K	IP65	L666*W94*H55mm	E	9pcs
SH-TP06I-2-40	220-240V~	50/60Hz	2x9W	2x73mA	4000K	IP65	L666*W94*H55mm	E	9pcs
SH-TP12I-2-6S	220-240V~	50/60Hz	2x18W	2x145mA	6500K	IP65	L1276*W94*H55mm	E	12pcs
SH-TP12I-2-40	220-240V~	50/60Hz	2x18W	2x145mA	4000K	IP65	L1276*W94*H55mm	E	12pcs
SH-TP15I-2-6S	220-240V~	50/60Hz	2x22W	2x180mA	6500K	IP65	L1576*W94*H55mm	E	6pcs
SH-TP15I-2-40	220-240V~	50/60Hz	2x22W	2x180mA	4000K	IP65	L1576*W94*H55mm	E	6pcs

DESCRIÇÃO DO PRODUTO

- A luz tri-proof consiste em um corpo de lâmpada PC/ABS e um abajur PC/PS com uma classificação à prova d'água de IP65.
- A luz tri-proof é equipada com um tubo de LED.
- É aplicável em garagens, estações de metrô, subterrâneos, passagens, oficinas de limpeza, armazéns, etc.
- Somente para uso interno.

INSTALAÇÃO



AVISO

- Desligue a energia antes da inspeção, instalação ou remoção.
- A conexão de alimentação e outros condutores de fiação externa devem ter pelo menos 1,0mm² e confirmar com 60245IEC57.

HU LED TRI-PROOF LÁMPA

MŰSZAKI ADATOK

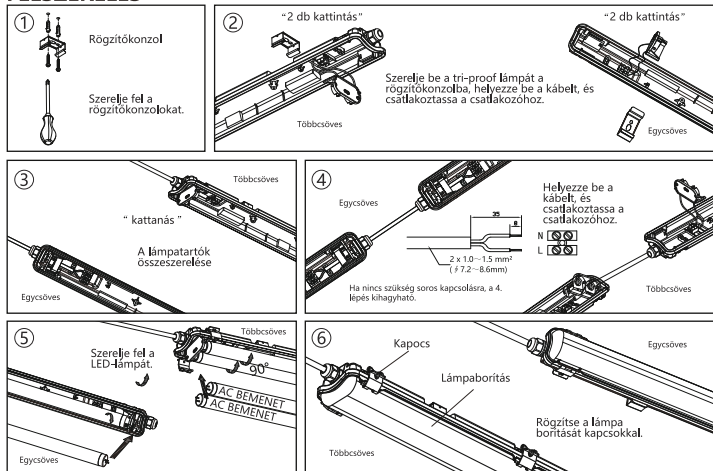
A termék a 2019/2015 (EU) rendelet szerinti <E> energiateljesítményi osztályba tartozó fényforrást tartalmaz.

Modell	Feszültség	Frekvencia	Teljesítmény	Áram összeg	CCT(Albitható színhőmérséklet)	Védelem	Méreték	ERP	Lineáris kábelek száma sorban
SH-TP06I-1-6S	220-240V~	50/60Hz	9W	73mA	6500K	IP65	L666*W68*H58mm	E	36 db
SH-TP06I-1-40	220-240V~	50/60Hz	9W	73mA	4000K	IP65	L666*W68*H58mm	E	36 db
SH-TP12I-1-6S	220-240V~	50/60Hz	18W	145mA	6500K	IP65	L1276*W68*H58mm	E	18 db
SH-TP12I-1-40	220-240V~	50/60Hz	18W	145mA	4000K	IP65	L1276*W68*H58mm	E	18 db
SH-TP15I-1-6S	220-240V~	50/60Hz	22W	180mA	6500K	IP65	L1576*W68*H58mm	E	18 db
SH-TP15I-1-40	220-240V~	50/60Hz	22W	180mA	4000K	IP65	L1576*W68*H58mm	E	18 db
SH-TP06I-2-6S	220-240V~	50/60Hz	2x9W	2x73mA	6500K	IP65	L666*W94*H55mm	E	9 db
SH-TP06I-2-40	220-240V~	50/60Hz	2x9W	2x73mA	4000K	IP65	L666*W94*H55mm	E	9 db
SH-TP12I-2-6S	220-240V~	50/60Hz	2x18W	2x145mA	6500K	IP65	L1276*W94*H55mm	E	12 db
SH-TP12I-2-40	220-240V~	50/60Hz	2x18W	2x145mA	4000K	IP65	L1276*W94*H55mm	E	12 db
SH-TP15I-2-6S	220-240V~	50/60Hz	2x22W	2x180mA	6500K	IP65	L1576*W94*H55mm	E	6 db
SH-TP15I-2-40	220-240V~	50/60Hz	2x22W	2x180mA	4000K	IP65	L1576*W94*H55mm	E	6 db

TERMÉKLEÍRÁS

- A tri-proof lámpa egy polikarbonát-ABS lámpatestből és egy polikarbonát-polisztirol lámpaburából áll, amelynek vizálto minősítése IP65.
- A tri-proof lámpa LED-csővel van felszerelve.
- Alkalmazható garázsokban, metróállomásokon, a aluljárókban, tisztítóműhelyekben, raktárakban stb.
- Kizárólag beltéri használatra.

FELSZERELÉS



FIGYELEM

- Ellenőrizés, telepítés vagy eltávolítás előtt kapcsolja ki.
- A tápcsatlakozásnak és az egyéb külső vezetéknek legalább 1,0 mm²-esnek kell lenniük, és meg kell felelniük a 60245IEC57 szabvány előírásainak.



XYGT8B702-E9-Ra80-6500K XYGT8B702-e9-z-a
 XYGT8B702-E9-Ra80-4000K XYGT8B702-e9-z-a
 XYGT8B704-E18-Ra80-6500K XYGT8B704-e18-z-a
 XYGT8B704-E18-Ra80-4000K XYGT8B704-e18-z-a

XYGT8B705-E22-Ra80-6500K XYGT8B705-e22-z
 XYGT8B705-E22-Ra80-4000K XYGT8B705-e22-z
 XYGT8B702-E9-Ra80-6500K XYGT8B702-e9-z-a
 XYGT8B702-E9-Ra80-4000K XYGT8B702-e9-z-a

XYGT8B704-E18-Ra80-6500K XYGT8B704-e18-z-a
 XYGT8B704-E18-Ra80-4000K XYGT8B704-e18-z-a
 XYGT8B705-E22-Ra80-6500K XYGT8B705-e22-z
 XYGT8B705-E22-Ra80-4000K XYGT8B705-e22-z